

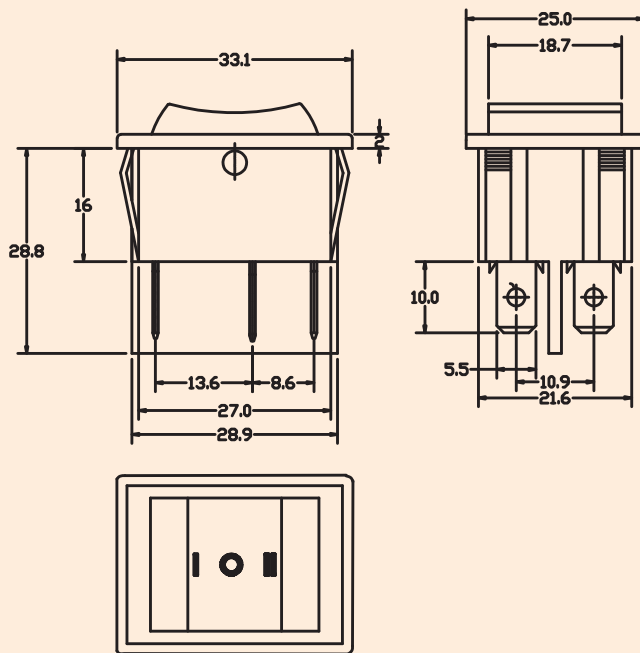
Rocker Switch NRS 1610 Series



MATERIALS

- Housing: Polyamide (Nylon 66)
- Rocker: Polyamide (Nylon 66)
- Contacts: Silver alloy / Cu alloy
- Terminal: Cu Alloy Silver / Tin plated
- Lamp: Neon Lamp
- Movable Arm: Cu Alloy, Silver/ Tin Plated

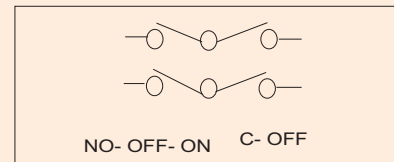
DIMENSIONS



TECHNICAL INFORMATION

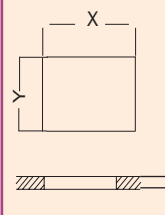
- Electrical Rating : 10A 250VAC/15A 125VAC(UL)
6A 250VAC/9A 125V AC, 12V/24V DC
- Degree of protect: Ip 40
- Mechanical life: Over 30000 cycles
- Electrical life: Over 10000 cycles
- Contact resistance: <10m ohm
- Insulation resistance: >20M ohm
- High voltage resistance: >1500V 1 min.
- Ambient temperature: -20°C to +85°C
- Atmospheric humidity: Max.85%
- Temperature rise at the terminal: Max 30°C (UL1054)
- Solder ability of terminal: Max 350°C,3s

CIRCUIT DIAGRAM

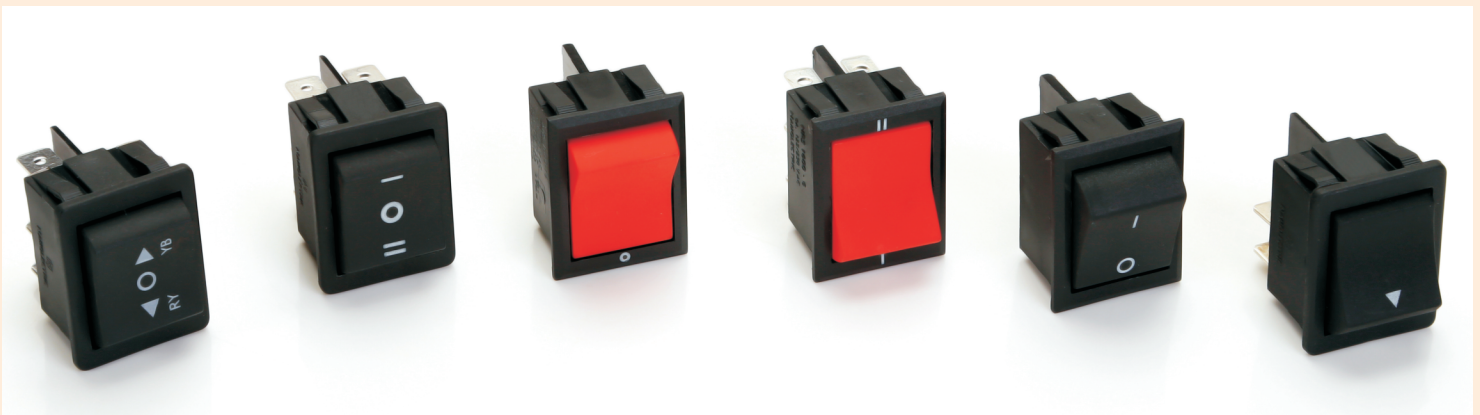


- Current rating : 10A, 250VAC/15A 125VAC(UL)
6A 250VAC/9A 125V AC, 12V/24V DC
- Function : C1,C2, C3
- Type : NI (Non Illuminated)
- Cut out Size : 22 mm X 30 mm

PANEL CUT OUT



Panel Thickness z (mm)	X (mm)	Y (mm)
0.70~1.25	22.00	30.00
1.25~2.00	22.00	30.20
2.00~3.00	22.00	30.40



NRS 1610